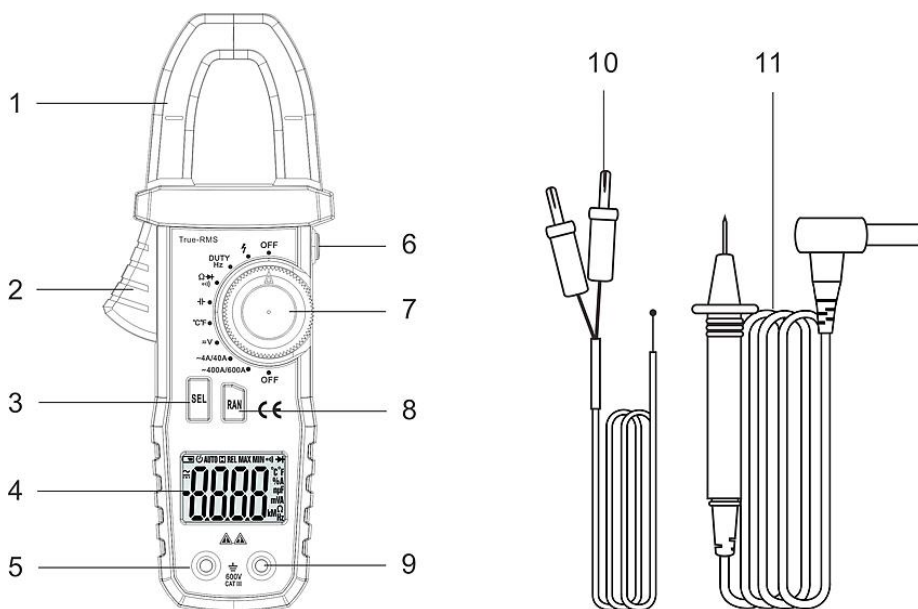




ETCR6420 Clamp Multimeter is a portable type clamp digital multimeter, which can measure DC voltage, AC voltage, current true RMS value, resistance, frequency, on-off test, temperature, forward voltage drop of the diode and other parameters. The capacitance measurement range is up to 10mF and the measurement speed of large capacitance is fast. The instrument with a small structure, easy to operate and portable. It is an ideal instrument for electrical measurement, which provides a safe, accurate and convenient new electric power meter for electric inspectors, and is an essential tool for electrical safety inspection.



1. Clamp

2. Trigger
3. SEL function selection key(Press this key continuously to loop through all functions of gear.)
4. Display LCD
5. "COM" common input terminal(input grounding)
6. DH reading hold key: press this key can lock present reading value, and display "DH"symbol in the same time, press this key again to cancel the hold function, and the "DH" symbol disappear. Long Press "DH" 2 seconds to open or close the backlight.
7. Rotary switch
8. RANGE manual range key: When need to fixed one of measurement range, can use the manual range function.
9. "V/W" Common input positive terminal
10. RAN key: Press this key to cycle from small to large to select all measurement ranges of each function.
11. ProbeX2PCS
12. temperature transducerX1PCS

Specification

Basic function		
DC Voltage	400m/4/40/400/600V	± (0.5%+5)
AC Voltage	4/40/400/600V	± (1.2%+5)
AC Current	4A/40A/400A/600A	± (2%+10)
Resistance	100/4k/40k/400k/4M/40MΩ	± (1%+5)
Capacitance	10n/100n/1u/10u/100uF/1000uF/10mF	± (3%+5)
Frequency	10/100/1k/10k/100k/1M/10m/40MHz	± (0.5%+3)
Temperature	-50°C~1000°C	± (1%+4)
Special function		
Auto Range	√	
ManualRange	√	
AC ConversionType	true RMS	
InputProtection	√	
Auto Shutdown	about 10 minutes, can be setand cancel auto shutdown function	
Diode Test	Can measure the LED work voltage below 3V	
Duty Ratio Measurement	√	
NCV (Live line) Measurement	√	
Short Circuit Buzzer	√	
LowVoltageIndicator	√	
Input Impedance	About10MΩ	
Data Hold	√	
Blue Backlight	√	
CT Size	Φ27mm	
General features		
Power Supply	AAA1.5VX2	
Weight	230g (with battery)	
Meter Dimension	213X80X35mm	

Accessories	Meter : 1pcs ; Pen probe : 1set ; Temperature sensor : 1pcs ; Tester Bag : 1pcs
-------------	---

Application

Model	CT	DC Voltage	AC Voltage	DC Current	AC Current	Resistance
ETCR6420	Φ27mm	0mV-600V	0V-600V	/	0A-600A	0Ω-40MΩ
ETCR6450	Φ52mm	0mV-1000V	0mV-700V	0A-1000A	0A-1000A	0Ω-40MΩ
ETCR6470	Φ55mm	0V - 2000V	0V - 2000V	/	0A-2000A	0Ω-20MΩ

Relate Model

Package	Outer Package	Carton
	Inner Package	Cloth bag
Accessory	Meter	1 PCS
	Pen probe	1 PCS
	Temperature sensor	1 PCS
	Manual	1 PCS
	Certification	1 PCS
	Warranty Card	1 PCS

